

Part 1 GENERAL

1.01 DESCRIPTION

- A. Furnish and install operable partitions and suspension system. Provide all labor, materials, tools, equipment, and services for operable walls in accordance with provisions of contract documents.

1.02 RELATED WORK BY OTHERS

- A. Preparation of opening will be by General Contractor. Any deviation of site conditions contrary to approved shop drawings must be called to the attention of the architect.
- B. All header, blocking, support structures, jambs, track enclosures, surrounding insulation, and sound baffles as required in 1.04 Quality Assurance.
- C. Pre-punching of support structure in accordance with approved shop drawings.
- D. Paint or otherwise finishing all trim and other materials adjoining head and jamb of operable partitions.

1.03 SUBMITTALS

- A. Completed shop drawings are to be provided prior to fabrication indicating construction and installation details. Shop drawings must be submitted within 14 days after receipt of signed contract.

1.04 QUALITY ASSURANCE

- A. Preparation of the opening shall conform to the criteria set forth per ASTM E557 Standard Practice for Architectural Application and Installation of Operable Partitions
- B. Sound Transmission Classification (STC) shall achieve test method ASTM E90 and/or in accordance with ISO 140-3:1995.
- C. Noise Isolation Classifications (NIC) and STC prediction shall be in accordance with ASTM E413 methodology.
- D. Noise Reduction Coefficient (NRC) ratings of surface finishes (if any) shall achieve test method ASTM C423.
- E. Rack testing for 10 years. (tensional strength stress test)
- F. The principal manufacturer shall have a quality system that is registered to the ISO 9001 standards.

1.05 PRODUCT DELIVERY, STORAGE, AND HANDLING

- A. Proper storage of partitions before installation and continued protection during and after installation will be the responsibility of the General Contractor.

1.06 WARRANTY

- A. Partition system shall be guaranteed for a period of one year against defects in material and workmanship, excluding abuse.

Part 2 PRODUCT SPECIFICATION

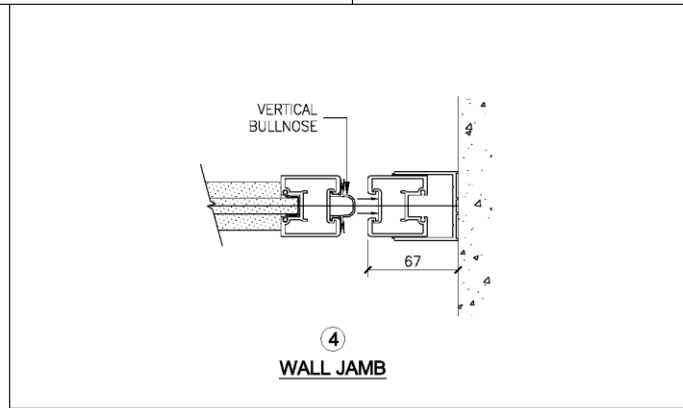
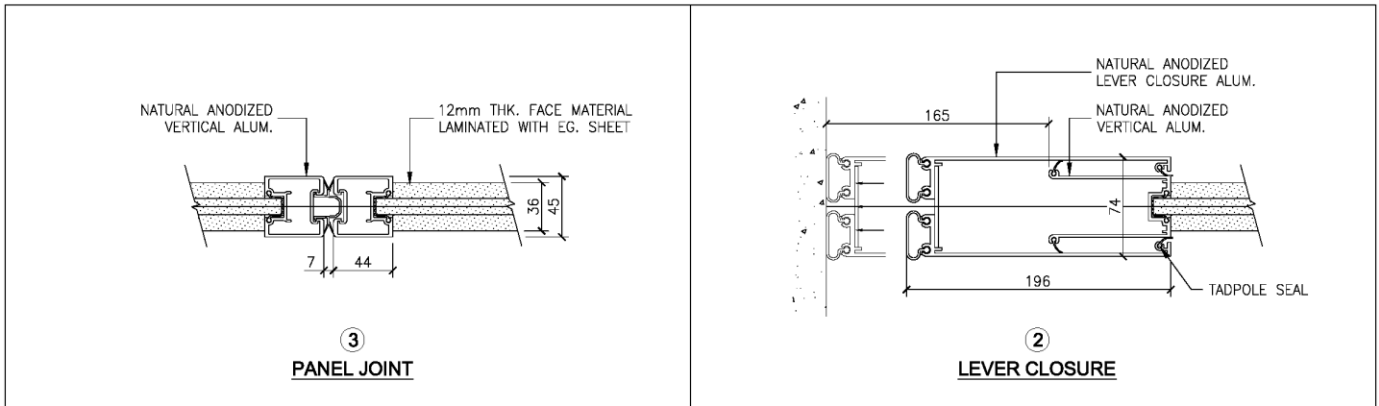
2.01 ACCEPTABLE MANUFACTURERS

- A. Upon compliance with all of the criteria specified in this section, Manufacturers wishing to bid products equal to the product specified must submit to the architect 10 days prior to bidding complete data in support of compliance and a list of three past installations of products similar to those listed. The submitting manufacturer guarantees the proposed substituted product complies with the performance items specified and as detailed on the drawings.

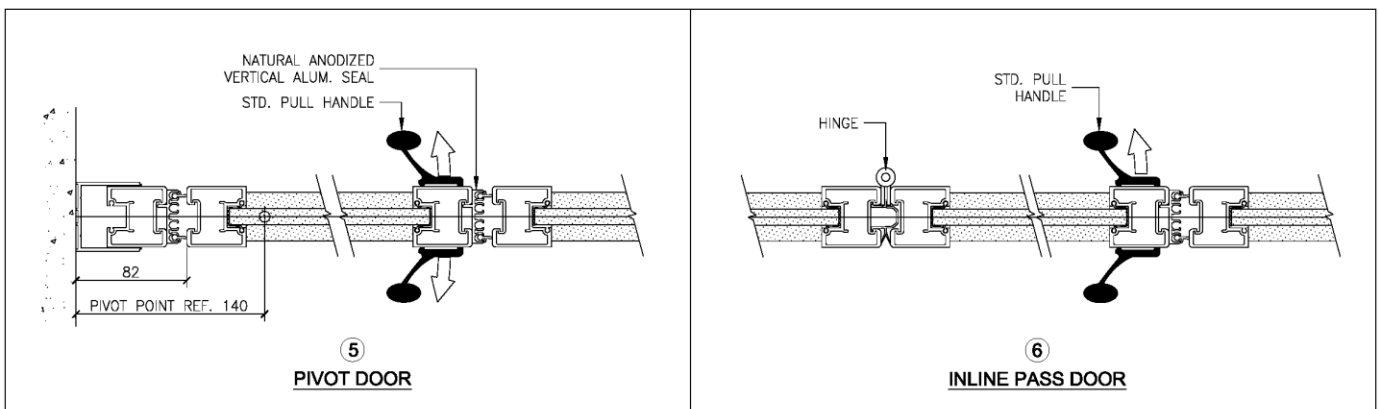
2.02 PRODUCT CONSTRUCTION DETAILS

- A. The product shall be HUF COR Hybrid-Flex Wall Divider manufactured by either HUF COR INC and/or subsidiaries.
- B. PANEL CONSTRUCTION
 1. Panels shall be nominally 45mm thick, up to 1219 mm wide and up to 3.0 m tall with full perimeter extruded aluminum 6063-T6 frame that are mechanically fastened corner construction.
 2. Vertical rail width is a nominal 44mm
 3. Each panel shall have a nominal 25mm clearance from both top rail.
 4. The leading vertical edge of each panel shall incorporate a tongue with two vinyl gaskets to nest into the vertical recess in the edge of the adjoining panel, creating a positive, interlocking joint for panel stability, ease of panel alignment and acoustic seal.
 5. Top and bottom horizontal seals shall be continuous contact, multi-layer, vinyl sweep seals.
 6. The top seals maintain contact with the track and the bottom seals maintain contact with the floor or other surface along the path of the movable wall.
 7. The boards shall be factory installed to meet the STC as in 2.04 Acoustical Performance.
 8. Panels may contain a floor pin which is extended into a floor mounted receiver to stabilize and secure the panel in the opening. Floor pin travel distance will be a nominal 38mm
 - a. A Pivot Panel contains an optional face activated floor pin
 - b. The strike panel adjacent to a Pivot Panel or a Pass Door will contain an activated floor pin mounted into the panel edge
 - c. A panel which terminates at the wall with either a bulb seal or a seal into a wall jamb will contain an activated floor pin mounted into the panel edge.

CROSS SECTION



OPTIONAL DOOR



STORAGE LAYOUT OPTION

