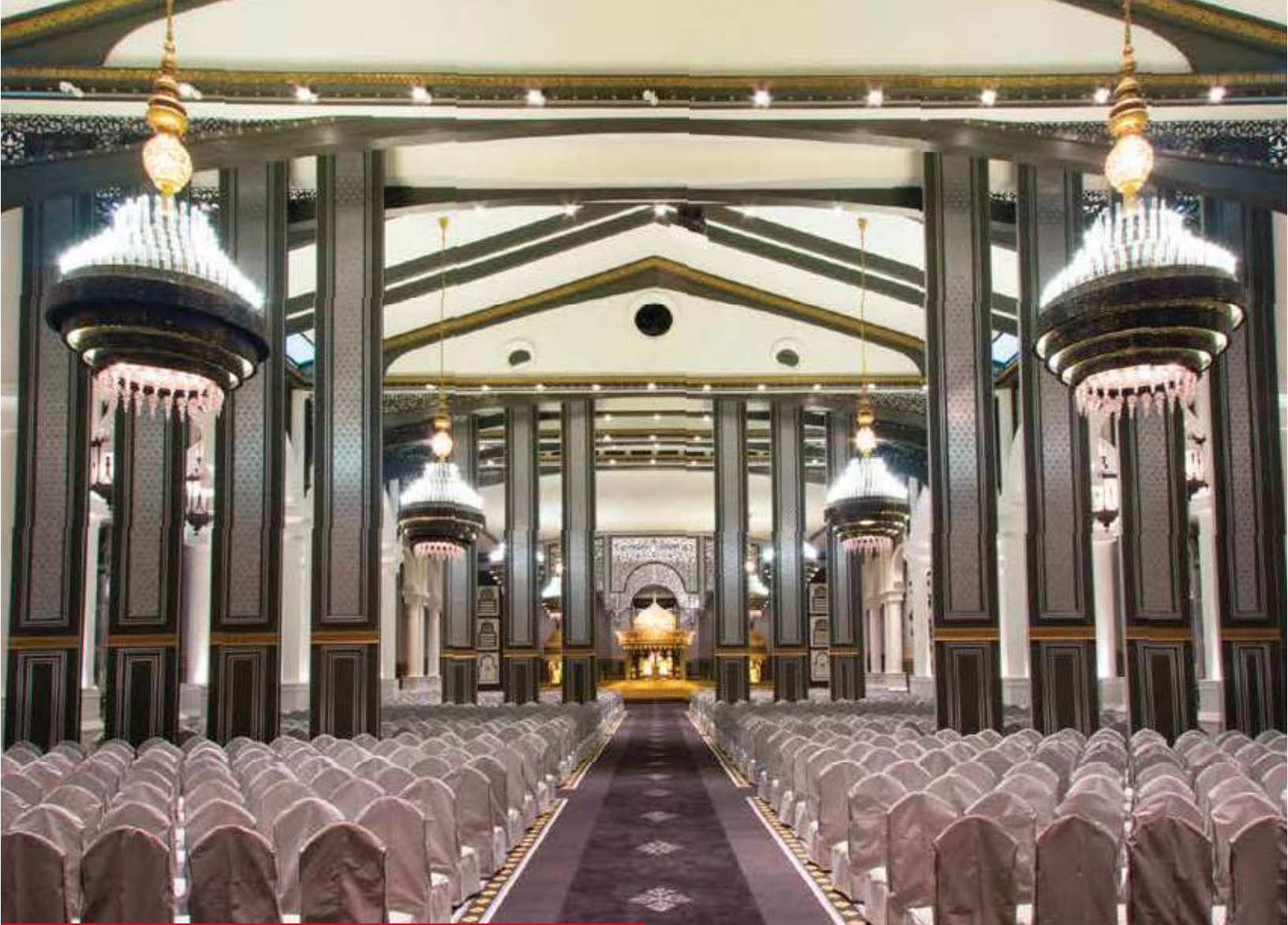


Operable Wall Designer Series

*Hufcor Asia
Operable Partitions*



 **HUFCOR®**



7000 Series

HIGH ACOUSTIC OPERABLE WALL

Hufcor 7000 series operable wall is recognized worldwide for the unparalleled quality and was developed to meet the following key goals:

- » *best-in-class operable wall for more than 6 meters height*
- » *optimal solution for all tall space management requirement like in convention centers and hotel*
- » *high acoustic performance up to STC 55*
- » *maximum space management flexibility*

FEATURE / BENEFIT

BUILT TO PERFORM

- » *Utilizing 6063-T6 architectural aluminum frames to deliver maximum durability and reliability*

SOUND MANAGEMENT

- » *Super acoustic partition with STC/Rw options up to STC 55.*
- » *Tested in accordance with ASTM E90 and ISO 10140-2 for sound blocking*
- » *Deep vertical interlocking between panels in tongue and groove configuration to achieve maximum sound control*
- » *Easy-operation top and bottom retractable seals for optimum sound control*

EASY OF OPERATION

- » *Half crank Quick-Set™ mechanism provides easy and lightning fast set-up*

ULTIMATE SPACE MANAGEMENT

- » *Omni, paired and inline pass-door options are available for design flexibility and stacking options*

SUSPENSION SYSTEM

- » *Architectural grade track systems incorporate professional grade 6063-T6 aluminium and easy-to-install alignment pins for precise installation for any ceiling, soffit or plenum sound barrier requirement*
- » *Tracks carriers are made with precision steel ball bearing wheels encased in specially molded polymer tires for extreme durability and reliability*
- » *Optional curve and divert system that allows for optimum flexibility in multiple hall set-up*

ACOUSTICS & LOADS

Model	Sound Transmission Class (STC)	Hanging Weight (kg/m ²)
7560XR / 7660XR	55	65.0
7560 / 7660	53	53.2
7550 / 7650	51	41.2
7540 / 7640	49	41.2
7530 / 7630	47	38.7
7510 / 7610	43	37.8

OPTIONS

- » Upgradeable to semi-automatic and fully automatic system
- » Automatic track diverting system
- » Interactive multimedia screen
- » Omni (Single) and paired panels
- » In-line pass door clearance up to 2.4 meters
- » Advanced multi-contact sweep seal for high STC applications
- » Extended easy-set retractable seals to alleviate uneven deflection in the floor
- » Multiple aluminum and steel tracks options for use and storage

FINISHES

- » Trimmed or untrimmed edges
- » Hufcor Designer Collection Fabric *
- » Hufcor Designer Collection High Pressure Laminate (HPL)*
- » Hufcor Designer Collection Vinyl Laminate*
- » Magnetic white board
- » Writing glass
- » Standard and premium trim colours

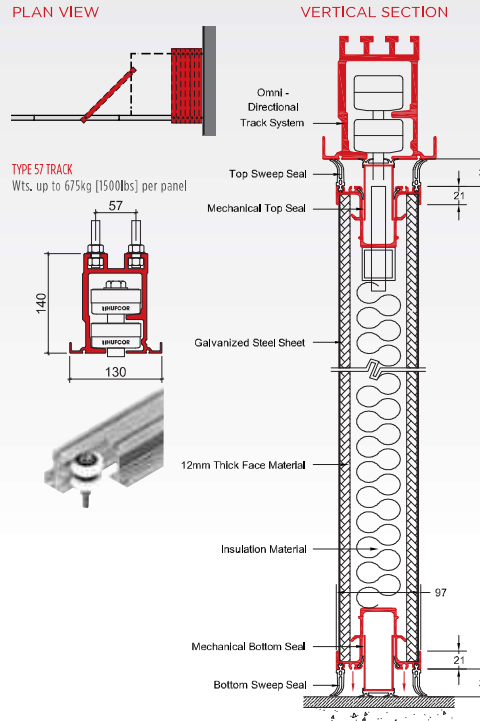
*Refer finishing selector for available colours / patterns

CARE & WARRANTY

Hufcor Operable Partitions are guaranteed for two years against defects in materials and workmanship, excluding abuse. Hufcor Preventive Maintenance Program available for extended warranty.

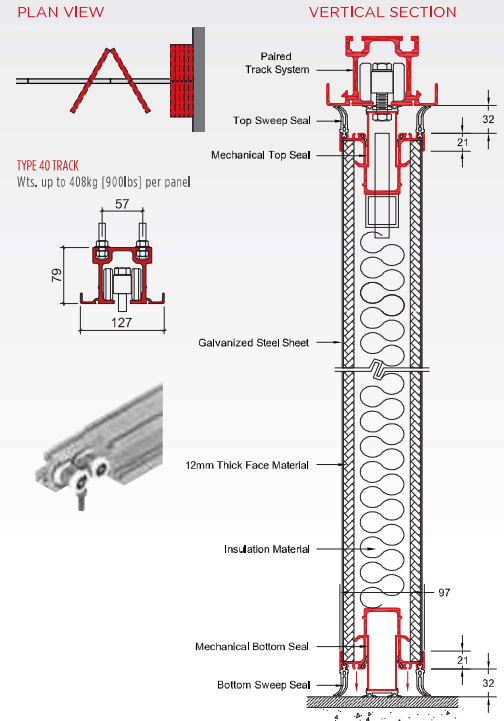
7600 SERIES OMNI-DIRECTIONAL PANELS

Provide the ultimate flexibility solution because each individual panel can be moved and easily rotated into any position or storage location. Multiple layout options can be created to manage your floor design most efficiently.



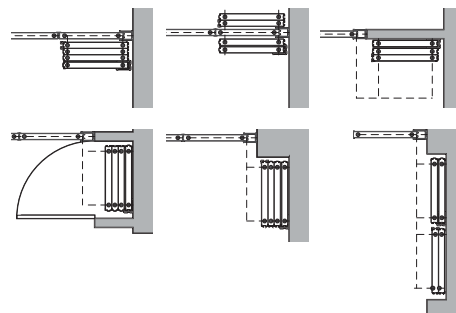
7500 SERIES PAIRED PANELS

Provides the quickest and easiest setup due to center-hung panels hinged in sets of two or three at a time. Options include hinging suited for molding or decorative trim.



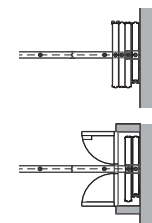
STORAGE LAYOUT OPTIONS

Omni-Directional Panels



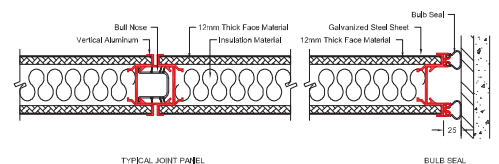
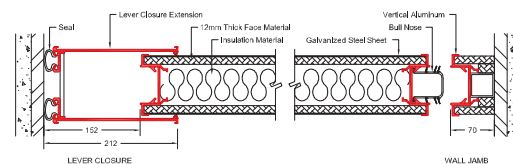
STORAGE LAYOUT OPTIONS

Paired Panels



HORIZONTAL SECTION

Lever Closure / Wall Jamb / Panel Joint / Bulb Seal





5000 Series

HIGH ACOUSTIC OPERABLE WALL

Hufcor 5000 series operable wall is the ultimate solution for flexible space management and was developed to meet the following key goals:

- » *industry leading operable wall up to 6 meters height*
- » *optimal solution for commercial offices, universities and school requirements*
- » *high acoustic performance up to STC 51*
- » *ultimate flexibility in interfacing with Hufcor Operable Glasswall*

FEATURE / BENEFIT

BUILT TO PERFORM

- » *Utilizing 6063-T6 architectural aluminum frames to deliver maximum durability and reliability*

SOUND MANAGEMENT

- » *High acoustic partition with STC/Rw options up to STC 51.*
- » *Tested in accordance with ASTM E90 and ISO 10140-2 for sound blocking.*
- » *Deep vertical interlocking between panels in tongue and groove configuration to achieve maximum sound control*
- » *Easy operation top and bottom retractable seals for optimum sound control*

EASY OF OPERATION

- » *Half crank Quick-Set™ mechanism provides easy and lightning fast set-up*

ULTIMATE SPACE MANAGEMENT

- » *Omni, paired and inline pass-door options are available for design flexibility and stacking options*

SUSPENSION SYSTEM

- » *Architectural grade track systems incorporate professional grade 6063-T6 aluminium and easy-to-install alignment pins for precise installation for any ceiling, soffit or plenum sound barrier requirement*
- » *Tracks carriers are made with precision steel ball bearing wheels encased in specially molded polymer tires for extreme durability and reliability*

ACOUSTICS & LOADS

Model	Sound Transmission Class (STC)	Hanging Weight (kg/m ²)
5560 / 5660	51	46.5
5550 / 5650	49	37.4
5540 / 5640	47	34.2
5530 / 5630	44	31.6
5510 / 5610	42	27.9
5500 / 5600	38	25.7

OPTIONS

- » Upgradeable to semi-automatic and fully automatic system
- » Interactive multimedia screen
- » Omni (Single) and paired panels
- » In-line pass door clearance up to 2.4 meters
- » Unispan® structural support system
- » Multiple aluminum and steel tracks options for use and storage

FINISHES

- » Trimmed or untrimmed edges
- » Hufcor Designer Collection Fabric*
- » Hufcor Designer Collection High Pressure Laminate (HPL)*
- » Hufcor Designer Collection Vinyl Laminate*
- » Magnetic white board
- » Writing glass*
- » Standard and premium trim colours

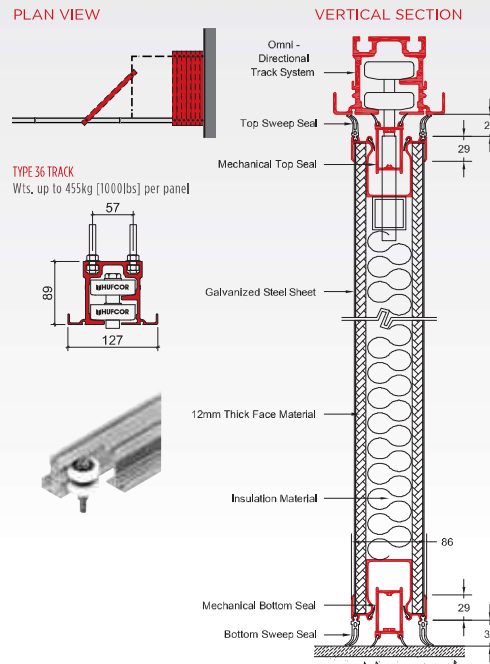
*Refer finishing selector for available colours / patterns

CARE & WARRANTY

Hufcor 5000 Series Partitions are guaranteed for two years against defects in materials and workmanship, excluding abuse. Hufcor Preventive Maintenance Program available for extended warranty.

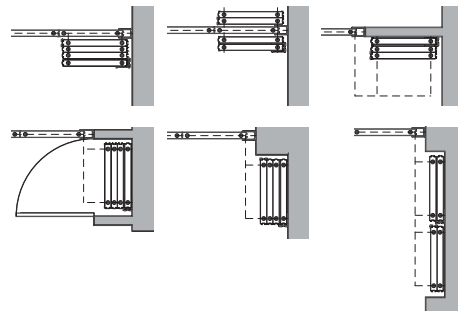
5600 SERIES OMNI-DIRECTIONAL PANELS

Provide the ultimate flexibility solution because each individual panel can moved and easily rotated into any position or storage location. Multiple layout options can be created to manage your floor design most efficiently.



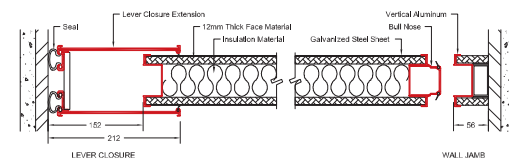
STORAGE LAYOUT OPTIONS

Omni-Directional Panels



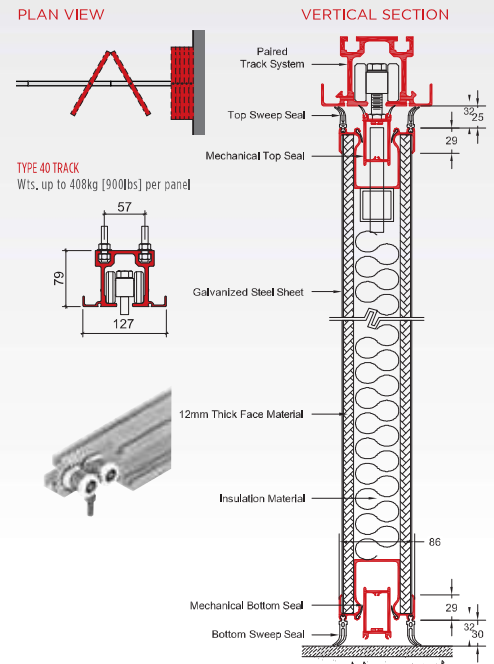
HORIZONTAL SECTION

Lever Closure / Wall Jamb / Panel Joint / Bulb Seal



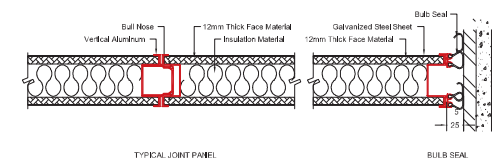
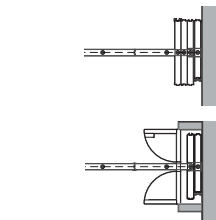
5500 SERIES PAIRED PANELS

Provides the quickest and easiest setup due to center-hung panels hinged in sets of two or three at a time. Options include hinging suited for molding or decorative trim.



STORAGE LAYOUT OPTIONS

Paired Panels





HF Series

HYBRID-FLEX DIVIDER

Hufcor HF valued wall divider series was developed to meet the following key goals:

- » *acoustic performance up to STC 38*
- » *slim design with panel thickness of 45mm only*
- » *ultimate flexibility in interfacing with Hufcor GF Designer Series Operable Glasswall*
- » *optimal solution for fast, simple space management solutions in restaurant, retail and commercial office*

FEATURE / BENEFIT

BUILT TO PERFORM

- » *Utilizing 6063-T6 architectural aluminum frames to deliver maximum durability and reliability*

SOUND MANAGEMENT

- » *Super acoustic partition with STC/Rw options of 32/35/38.*
- » *Partitions tested in accordance with ASTM E90 and ISO 10140 -2 for sound blocking.*

EASY OF OPERATION

- » *Designed for easy and lightning fast set-up, with sweep seals*

SPACE MANAGEMENT

- » *Omni and paired panels options are available for design flexibility and stacking options*
- » *Ultra low-profile 45mm wide panels allow for minimized stacking depth and simplify set-up*
- » *Design flexibility to integrate with Hufcor Operable Glasswall*

ULTIMATE SPACE MANAGEMENT

- » *Omni, paired and inline pass-door options are available for design flexibility and stacking options*

SUSPENSION SYSTEM

- » *Architectural grade track systems incorporate professional grade 6063-T6 aluminium and easy-to-install alignment pins for precise installation for any ceiling, soffit, or plenum sound barrier requirement*
- » *Tracks carriers are made with precision steel ball bearing wheels encased in specially molded polymer tires for extreme durability and reliability*

ACOUSTICS & LOADS

Model	Sound Transmission Class (STC)	Hanging Weight (kg/m ²)
3520 / 3620	38	35.0
3510 / 3610	35	30.0
3500 / 3600	32	15.0

OPTIONS

- » Omni (Single) and paired panels
- » Pivot door option for egress
- » Unispan® structural support system
- » Multiple stacking designs
- » Designer hardware & aesthetic options such as ladder pull handle and flexible lock types

FINISHES

- » Hufcor Designer Collection Fabric *
- » Hufcor Designer Collection High Pressure Laminate (HPL)*
- » Standard and premium trim colours

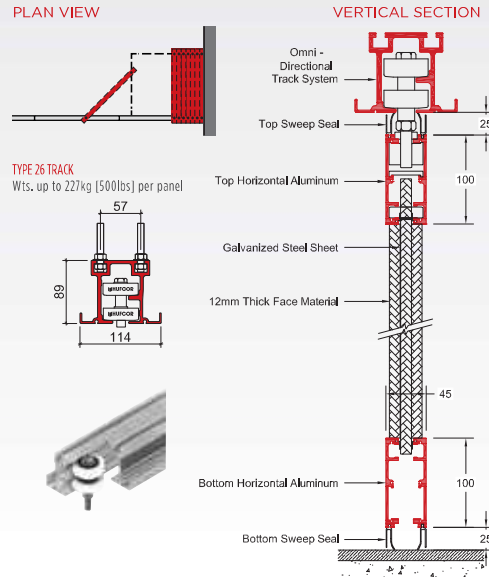
* Refer finishing selector for available colours / patterns

CARE & WARRANTY

Hufcor HF Series Partitions are guaranteed for one year against defects in materials and workmanship, excluding abuse. Hufcor Preventive Maintenance Program available for extended warranty.

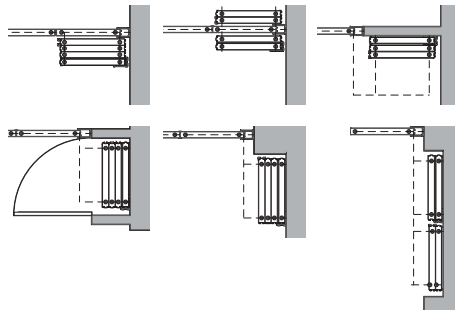
HF 3600 SERIES OMNI-DIRECTIONAL PANELS

Provide the ultimate flexibility solution because each individual panel can moved and easily rotated into any position or storage location. Multiple layout options can be created to manage your floor design most efficiently.



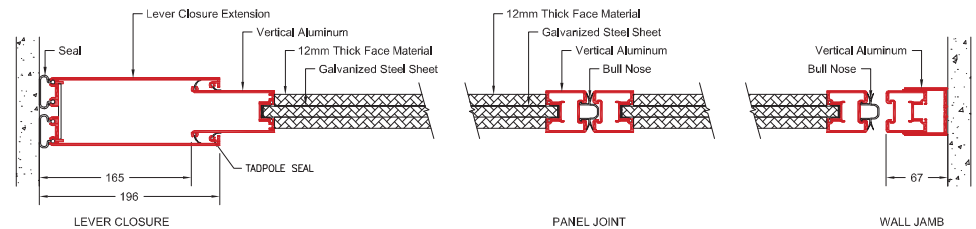
STORAGE LAYOUT OPTIONS

Omni-Directional Panels



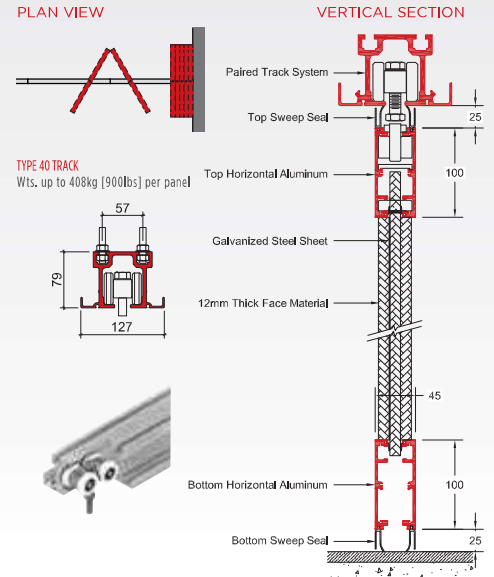
HORIZONTAL SECTION

Lever Closure / Wall Jamb / Panel Joint / Bulb Seal



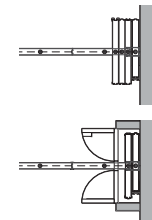
HF 3500 SERIES PAIRED PANELS

Provides the quickest and easiest setup due to center-hung panels hinged in sets of two or three at a time. Options include hinging suited for molding or decorative trim.



STORAGE LAYOUT OPTIONS

Paired Panels



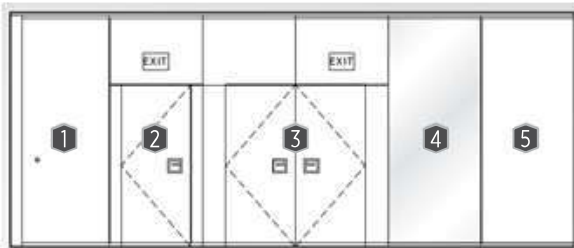
Acoustic Operable Partition

PRODUCT OVERVIEW

<u>SPECIFICATION OVERVIEW</u>	7000	5000	HF
<u>STC / RW</u>	Up to 55	Up to 51	Up to 38
<u>MAX HEIGHT</u>	12.5m	6.0m	3.0m
<u>MAX OPENING WIDTHS</u>	Unlimited	Unlimited	14m
<u>PANEL THICKNESS</u>	97 mm	86 mm	45 mm
<u>PANEL CONFIGURATION</u>	Omni (Single) / Paired	Omni (Single) / Paired	Omni (Single) / Paired
<u>ACOUSTIC SEALS / SWEEPS</u>	Sweep seal top and bottom, and/or 32mm top and bottom mechanical seal	Sweep seal top and bottom, and/or 25 mm top and 30mm bottom mechanical seal	Sweep seal 25 mm top and bottom
<u>TRACK/STACKING OPTIONS</u>	Multiple	Multiple	Multiple
<u>UNISPAN COMPATIBLE</u>	Yes, up to 3.5m	Yes, up to 3.5m	Yes
<u>FRAME FINISHES</u>	Natural anodized and resin-based powder coatings	Natural anodized and resin-based powder coatings	Natural anodized and resin-based powder coatings
<u>HANGING WEIGHTS</u>	Up to 65.0kg/m ²	Up to 46.5kg/m ²	Up to 35.0kg/m ²

LAYOUT OPTIONS

A variety of layout options and work surfaces are available to provide the functionality and aesthetics you need.

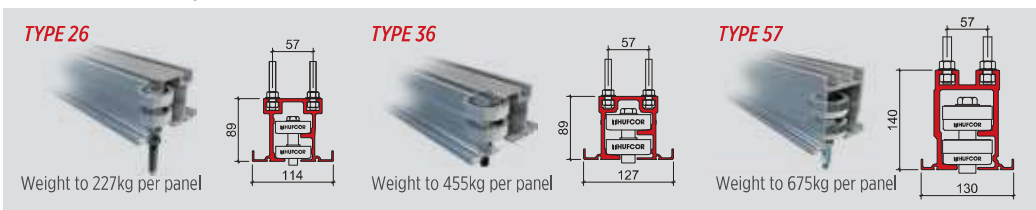


- 1 Lever Closure Panel
- 2 Single Pass Door (full height pass door for HF series)
- 3 Double Pass Door (only applicable to 5000/7000 series omni option)
- 4 Work Surface:
Magnetic White Board / Writing Glass
- 5 Basic Panel

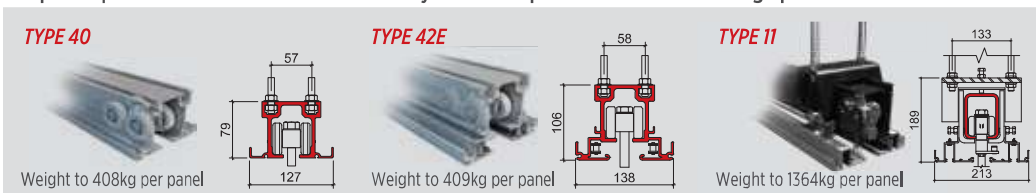
HUF COR TRACKS SYSTEM

All Hufcor tracks have been tested for a minimum of 100 miles (approx. 14 years) of usage cycle time.

For omni-directional panels:



For paired panels:



For fully automatic panels:

For high panels:

